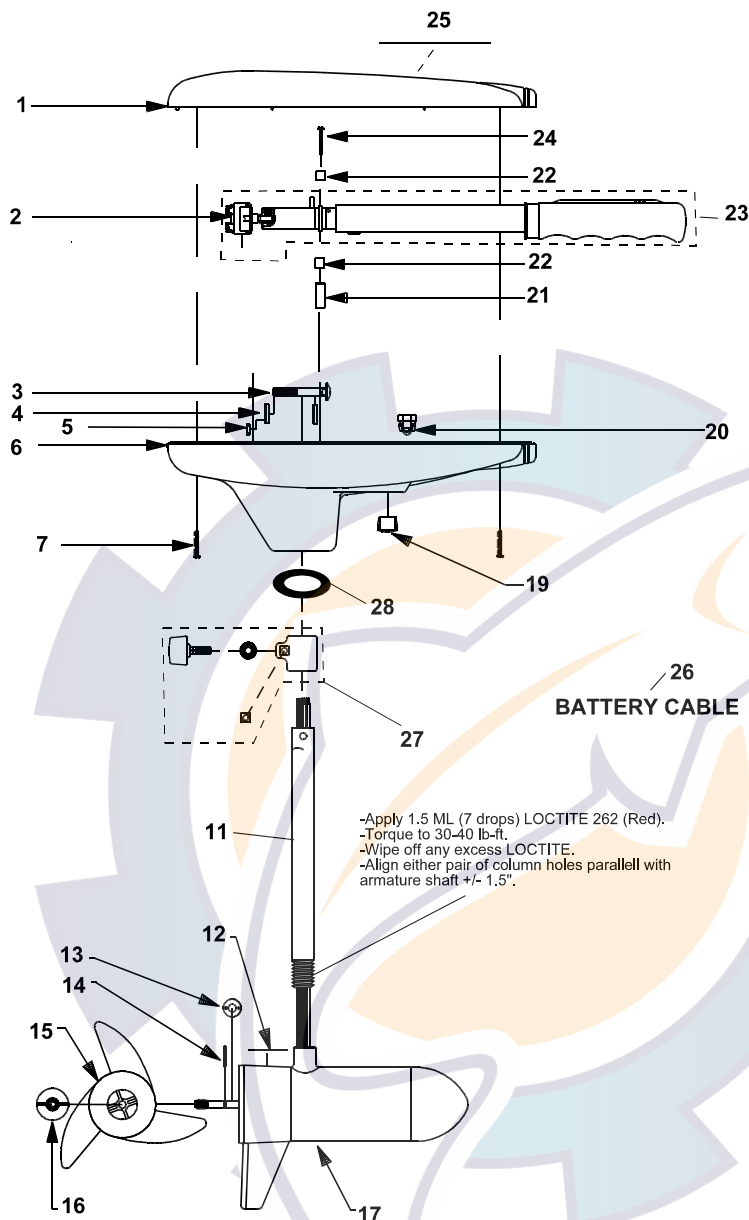


MotorGuide® REPAIR PARTS

Model: **POWER plus**
T43 CAMO



SPECIFICATIONS:

Year of Intro	1998
Thrust	43LBS
Volts	12VDC
Amp Draw	0 to 48 amps
Mount	03 Transom
Speeds	5/2

QUICK REFERENCE PARTS GUIDE:

Handle Asy	BT372-08
Motor Seal Kit	6220
Rotary Switch	KT150-02

PARTS ORDERING & TECH ASSISTANCE

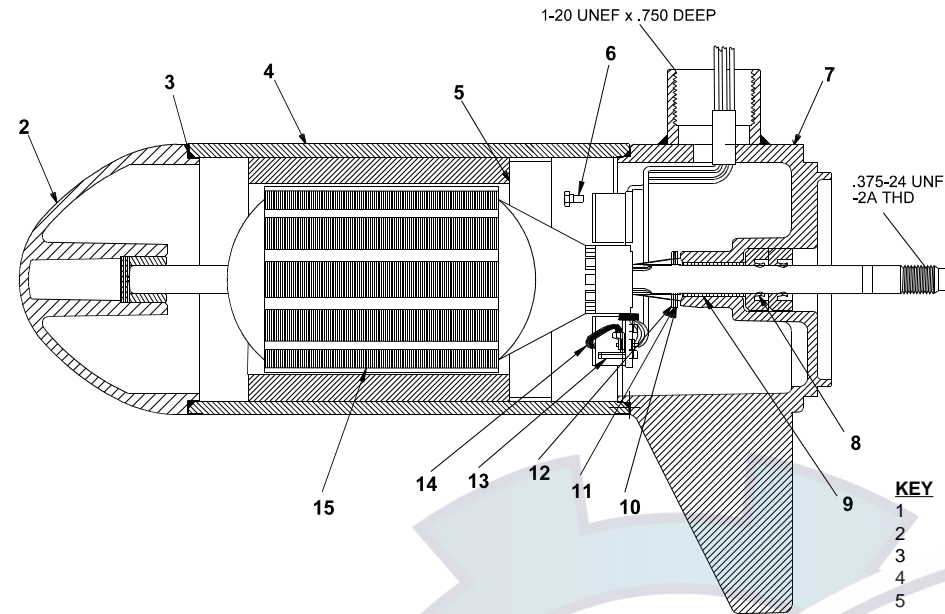
MotorGuide Consumer Relations
Phone 918-831-6989
Fax 800-982-8093

Returned Goods must be accompanied with a Returned Goods Authorization. Contact MotorGuide Consumer Relations to obtain RGA.

KEY	DESCRIPTION	PART #	KEY	DESCRIPTION	PART #
1	COVER CAMOFLAGE	HT053-17	18		
2	ROTARY SWITCH	KT150-02	19	1/2" HOLE PLUG	FP021-03
3	BOLT	TT134-01	20	GROMMET	GR019-03
4	CURVED WASHER	TT171-04	21	WIRE BRACKET	AT155-04
5	NYLON LOCK NUT	XT098-02	22	RETAINER CLAMP	AR036-01
6	T/H BASE CAMOFLAGE	AR004-02	23	5 SPEED HANDLE ASY	BT372-08
7	SCREW #8 X 1"	LF141-04	24	8 X 1-3/8 SCREW	AR133-01
8			25	NOMENCLATURE	HT056-13
9			26	BATTERY CABLE	TT328-03
10			27	DEPTH COLLAR ASY	AR158-02
11	36" H/O COLUMN CAMOFLAGE	MT049-13	28	COLUMN SEAL	AT079-01
12	MARINE LOWER UNIT DECAL	ET060-06			
13	MONOFILAMENT WASHER	AR175-01			
14	PROP DRIVE PIN	BR102-01			
15	PROP/ 3 BLADE	AF124-10			
16	PROP NUT	AR099-01			
17	MOTOR	ET397-02			

LOWER UNIT BREAKDOWN

Model:
T43 CAMO



NOTE: TORQUE THRU BOLTS TO 40 TO 50 INCH LBS.

KEY	QTY	DESCRIPTION	PART NO.
1	X	MOTOR	ET397-02
2	1	NOSE CAP	JF3212-01
3	2	O RING SEAL	MR217-01
4	1	HOUSING ASY	PF3210-01
5	1	RETAINER	JF233-01
6	2	BRUSH CARD SCREW	MR228-01
7	1	COMM CAP	ET3205-01
8	2	SHAFT SEAL	MR223-01
9	1	BEARING	MR206-01
10	1	NYLATRON WASHER	MR226-01
11	1	WASHER	MR227-01
12	1	E RING	MR219-02
13	2	BRUSH SPRINGS	MR214-02
14	1	BRUSH ASY LESS SPRING	DF3201-01
15	1	ARMATURE	PF3207-01
16	4	STATIC SEAL	MR222-01
17	4	THRU BOLT WASHER	MR216-01
18	2	THRU BOLT	MR218-14

WIRING

